



 JOMSI

Air-cushioned

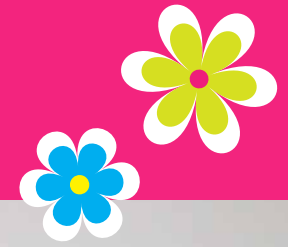
 Diamond

MODERN DESIGN AND ERGONOMIC SHAPE





MY SCHOOL IS SUSTAINABLE!



plastica
seconda vita
MIX ECO









The cantilever frame grants more accurate and quicker cleaning operations by suspending the chair onto the table top.



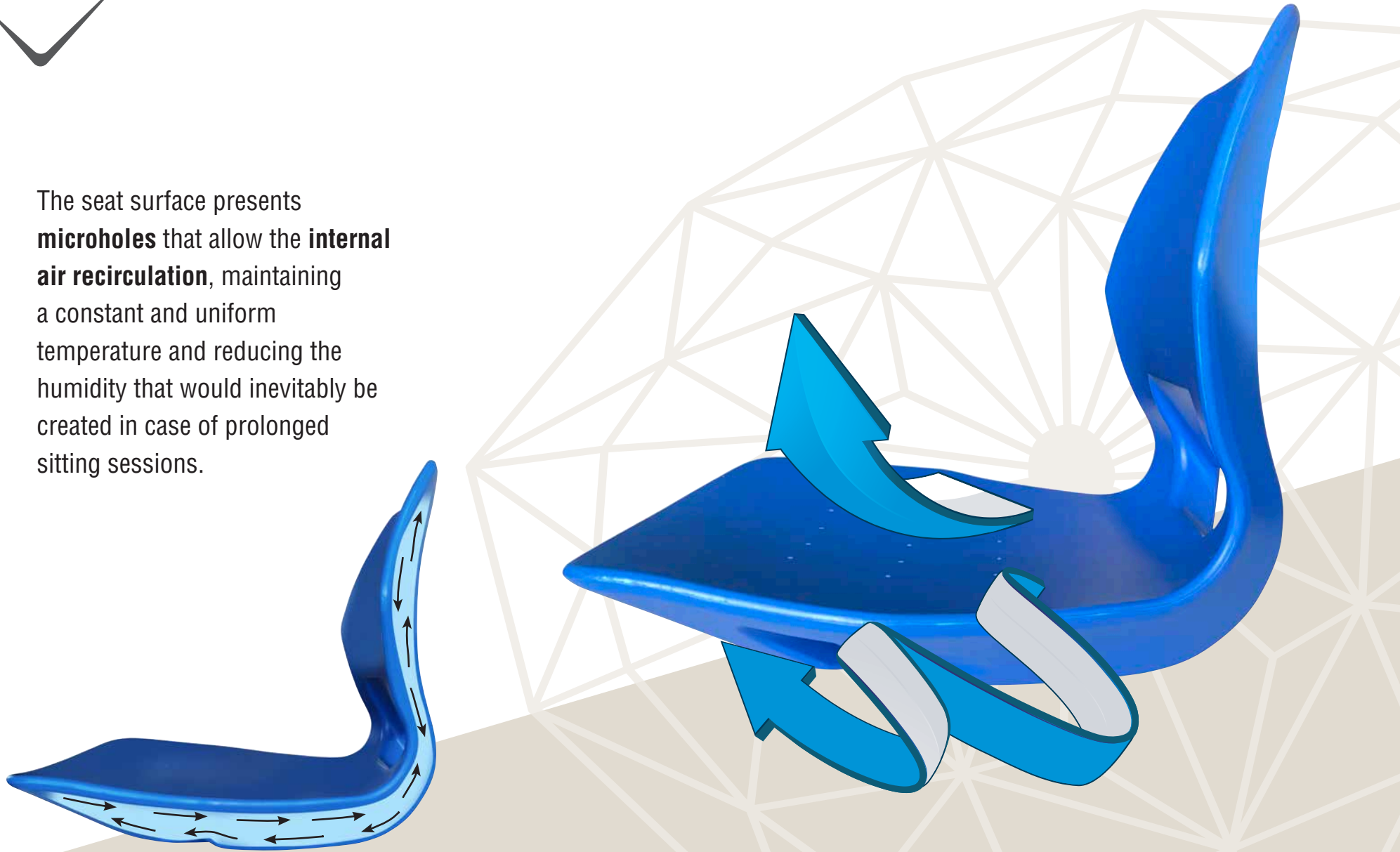
Diamond

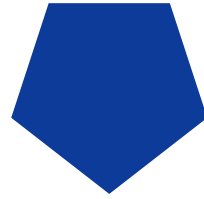


Double-walled shell in 100% recyclable polypropylene. Modern design and ergonomic shape that follows and supports the natural forms of our body encouraging a comfortable sitting posture thanks to the **“Air cushion”** effect.

Diamond

The seat surface presents **microholes** that allow the **internal air recirculation**, maintaining a constant and uniform temperature and reducing the humidity that would inevitably be created in case of prolonged sitting sessions.





Extremely comfortable chair, with great **versatility of use**, suitable for school spaces and may other different situations.





4 LEGGED CHAIR

4 legged frame ø 22 cm,
epoxy powder coated.
Stackable up to 6 chairs.

size 3-4

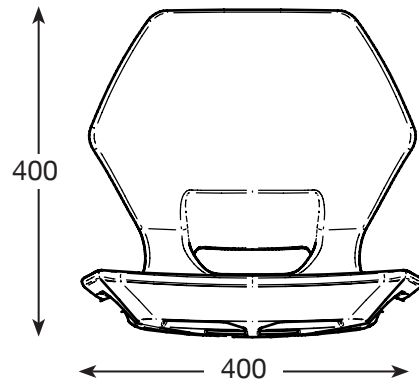
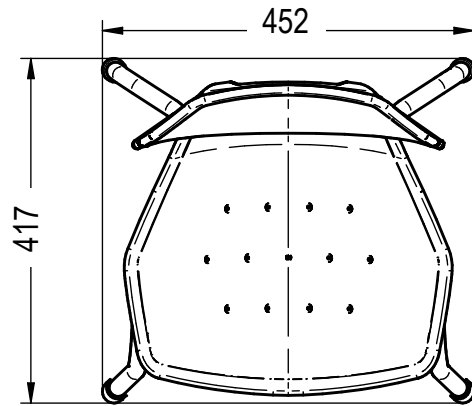
size 5-6



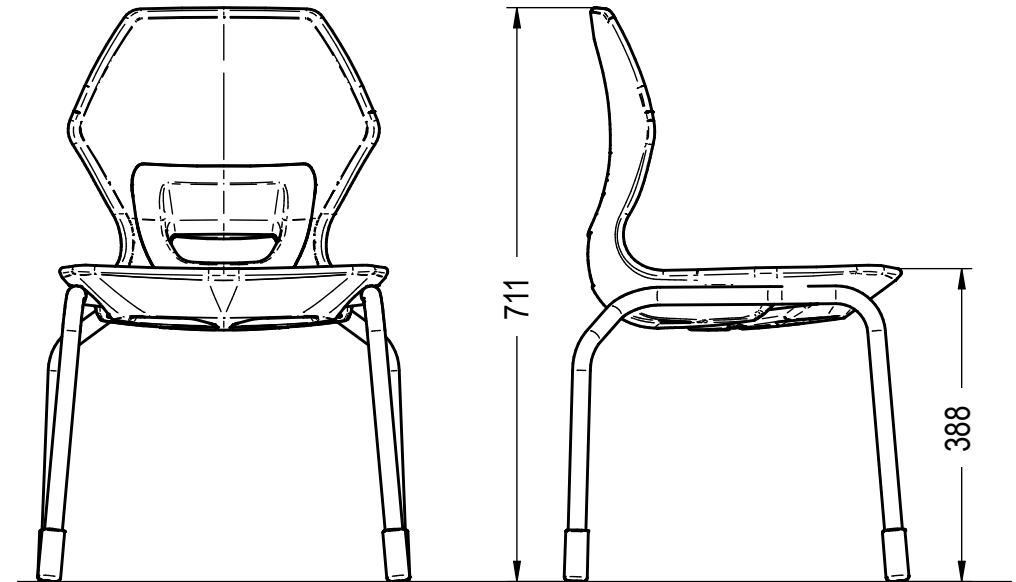
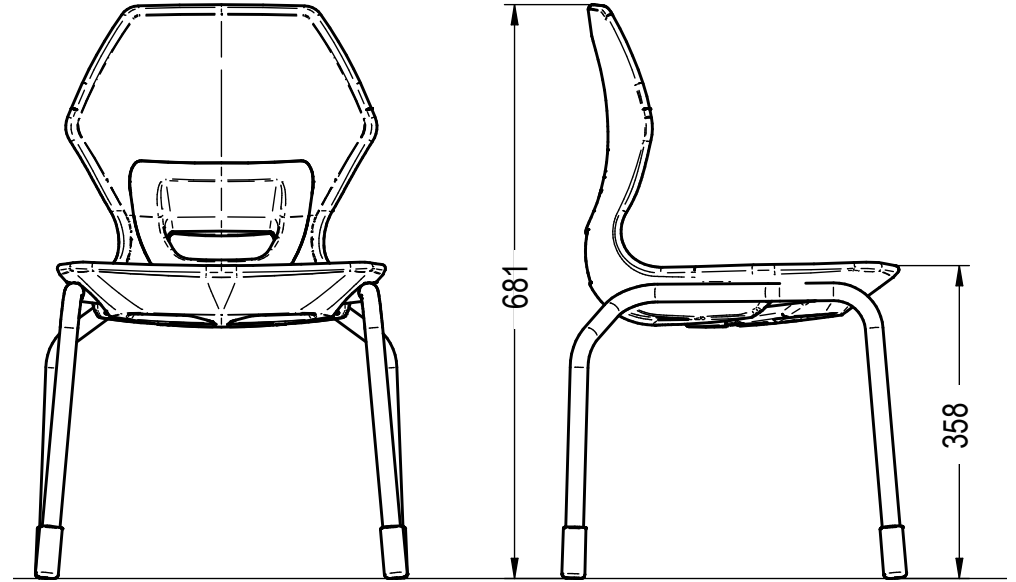
Certified din en 1729:2016 1-2

Diamond 4

SIZE 3

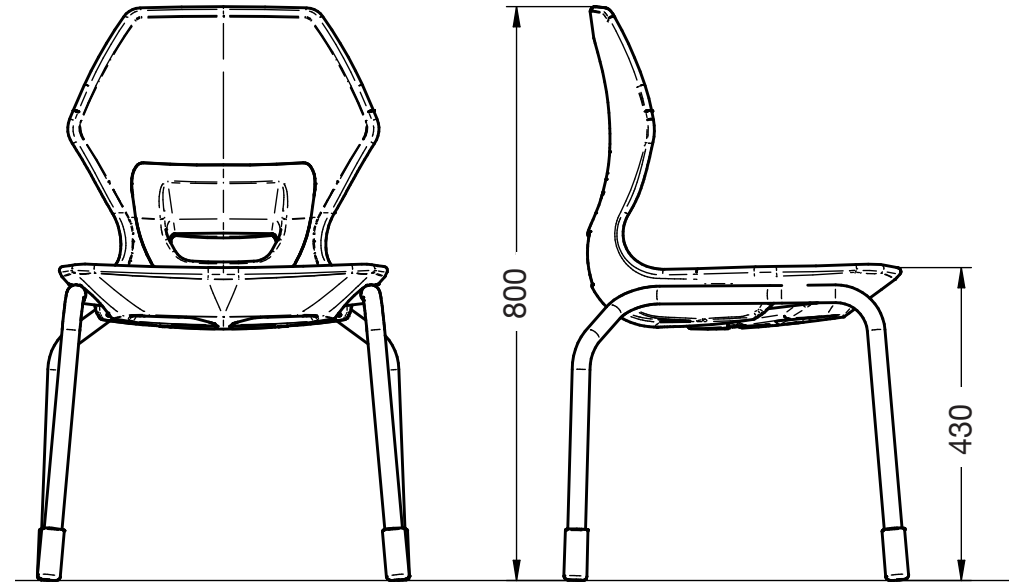
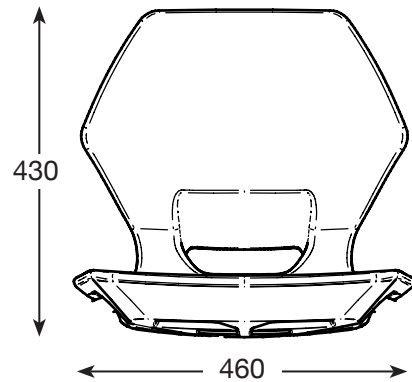
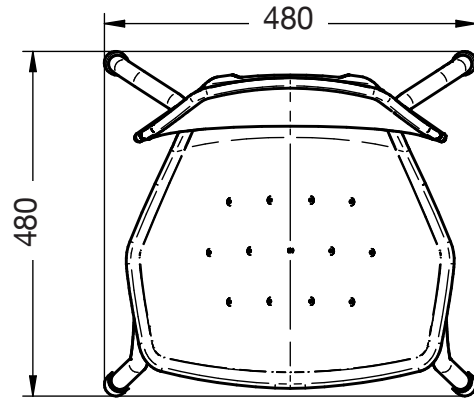


SIZE 3

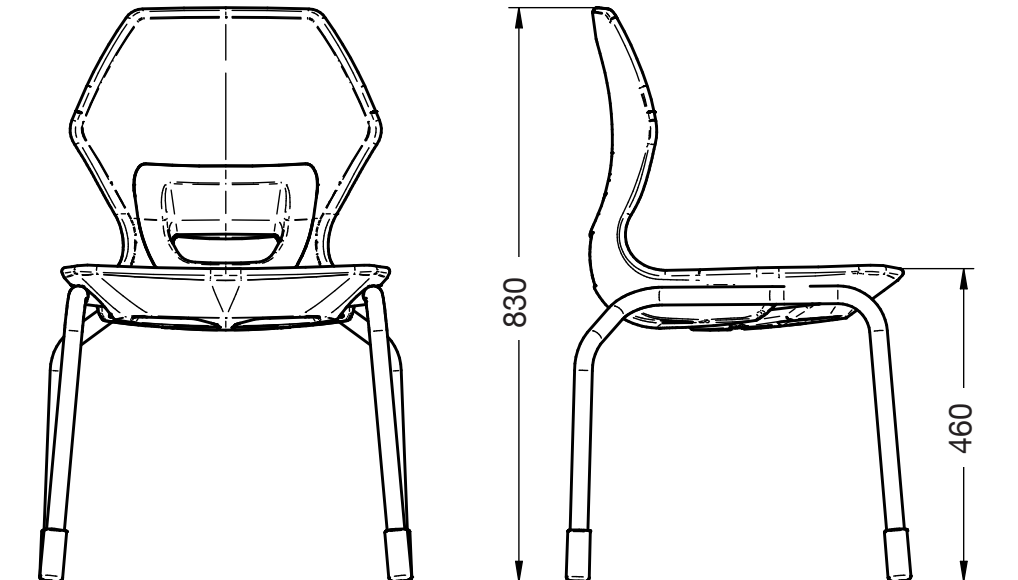


Diamond 4

SIZE 5



SIZE 6





CANTILEVER FRAME

Cantilever frame in epoxy powder coated steel tube
ø 22 cm.

Stackable up to 4 chairs.

size 3-4

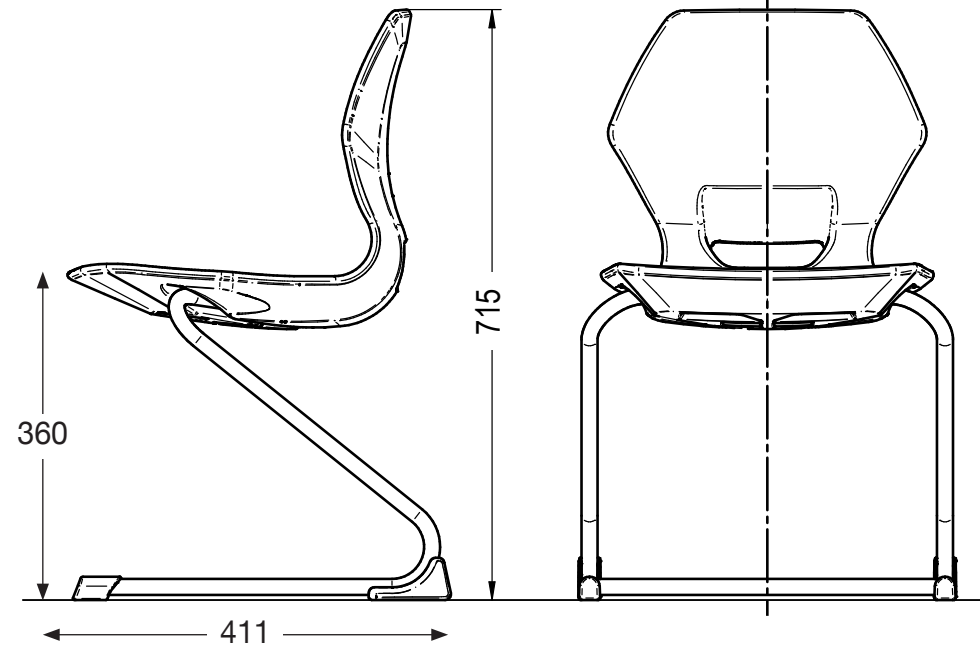
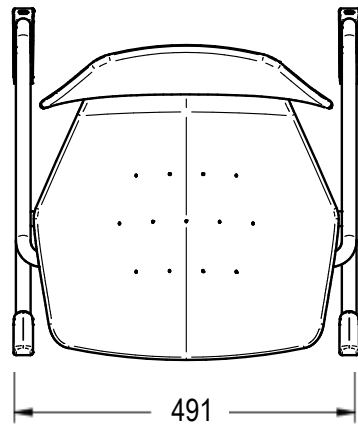
size 5-6



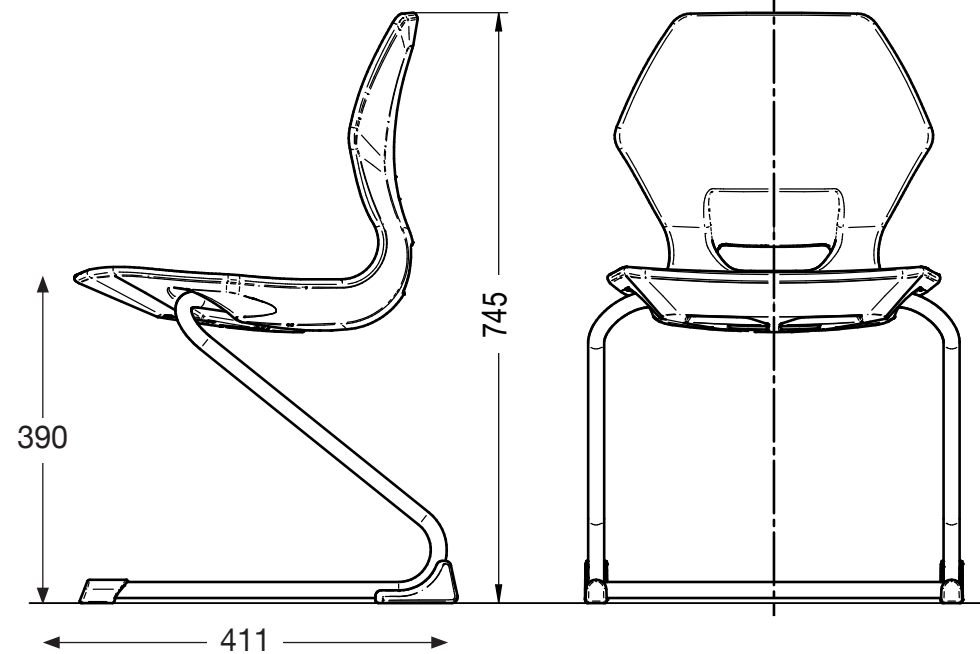
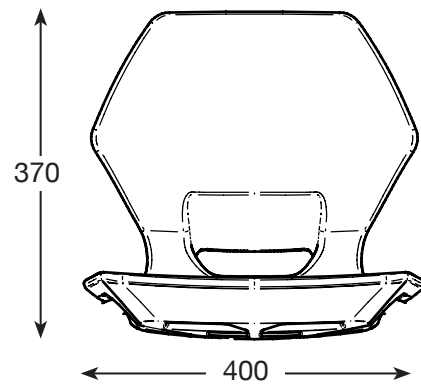
Certified din en 1729:2016 1-2

Diamond 2

SIZE 3

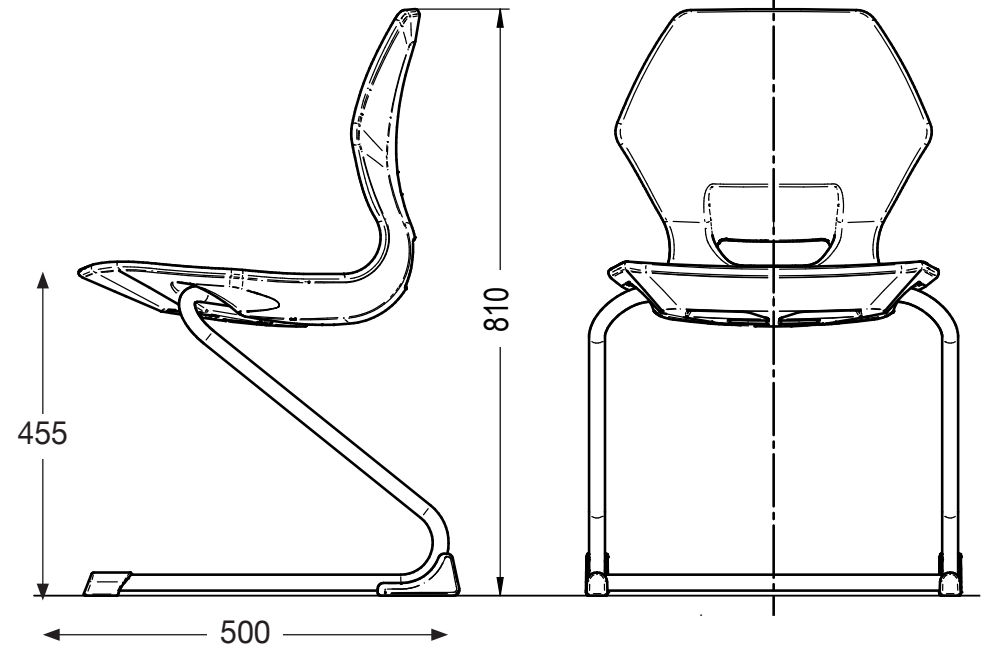
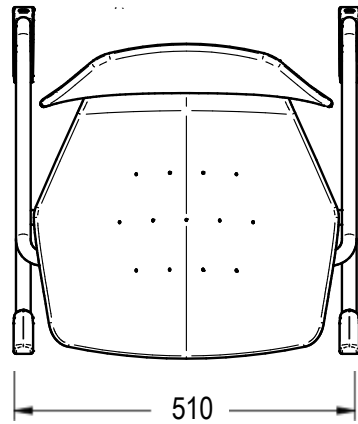


SIZE 4

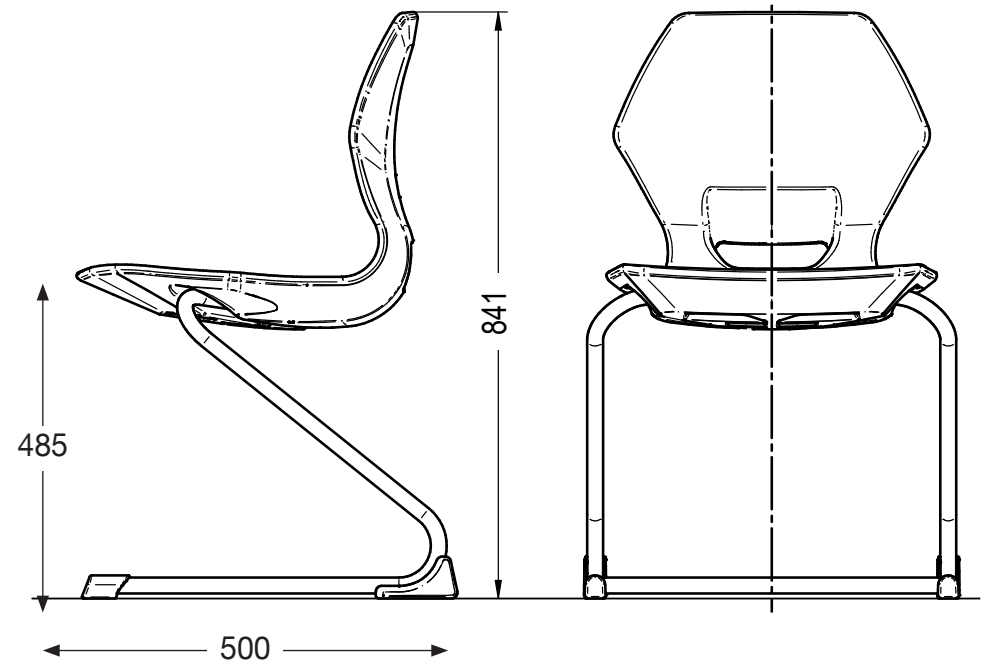
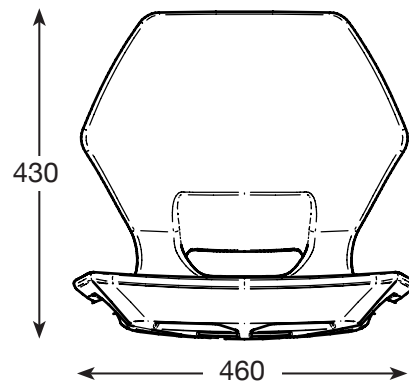


Diamond 2

SIZE 5



SIZE 6



Diamond 5

5-star swivel version
with aluminum base
and chromed
footrest
(DIAMOND 5A)



5-STAR SWIVEL BASE

5-star swivel base, in
polyamide with gas lift.
Pivoting self-braking soft
castors, ø 6,5 cm.

Available on
glides as well
(DIAMOND 5P)





STOOL 5-STAR SWIVEL BASE

5-star swivel base, in
polyamide with gas lift.
Pivoting self-braking soft
castors, ø 6,5 cm.

Available on
glides as well
(DIAMOND 5P)



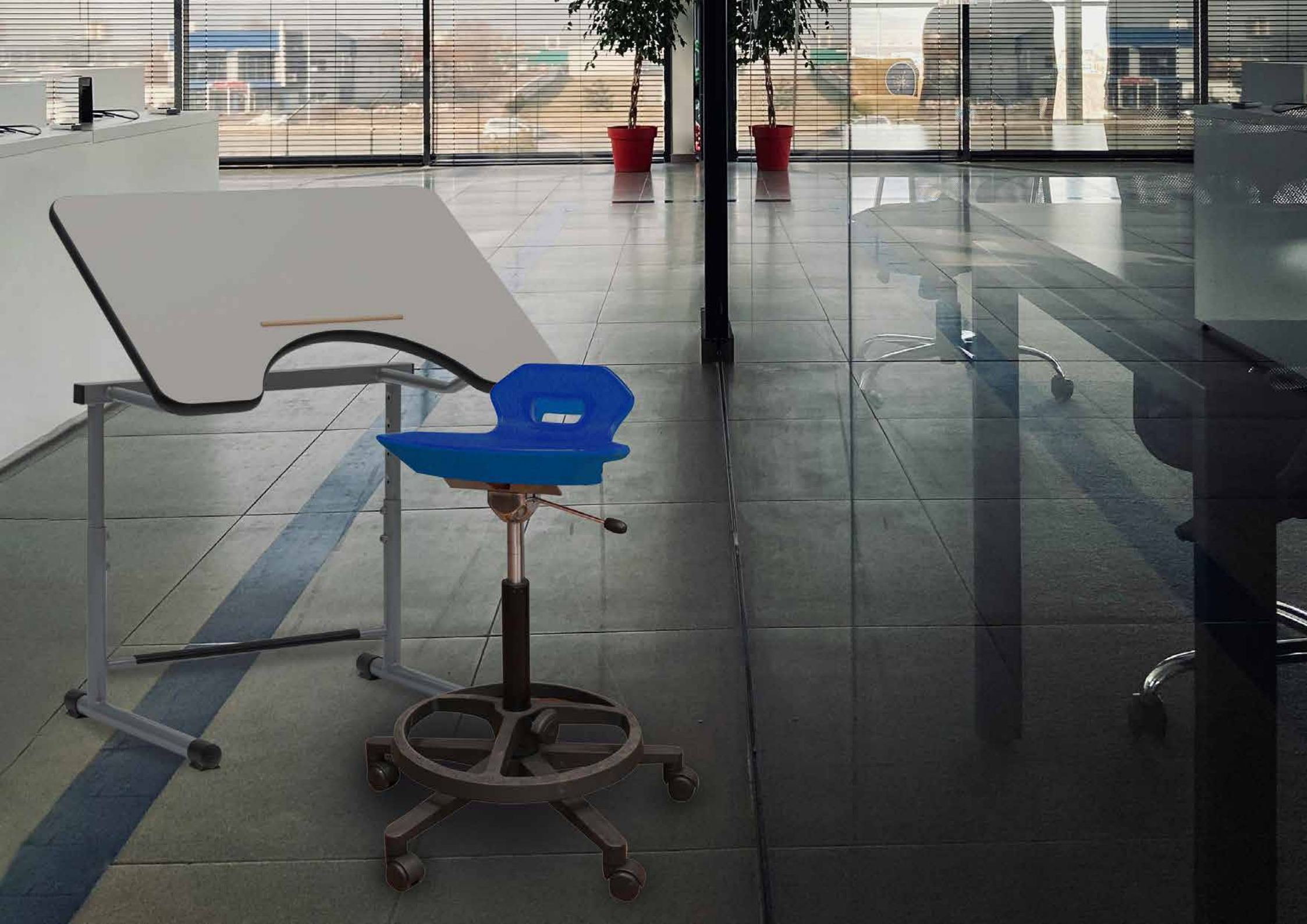
Standard colours





10015
STOOL





Diamond



1 2



3



4



5



6



6 different sizes have been specially designed to follow the kid's growth

Size 1 - 2

Size 3 - 4

Size 5 - 6

Diamond

Non slip texture finishing
easy to sanitize with
alcohol-based solutions

Stackable

Central grip hole
to facilitate handling

Frame fixing
blocks

Certified according to
DIN EN1729 : 2016 1-2
Certified Plastic Second Life - MixEco

Recyclable

Fireproof version
upon request

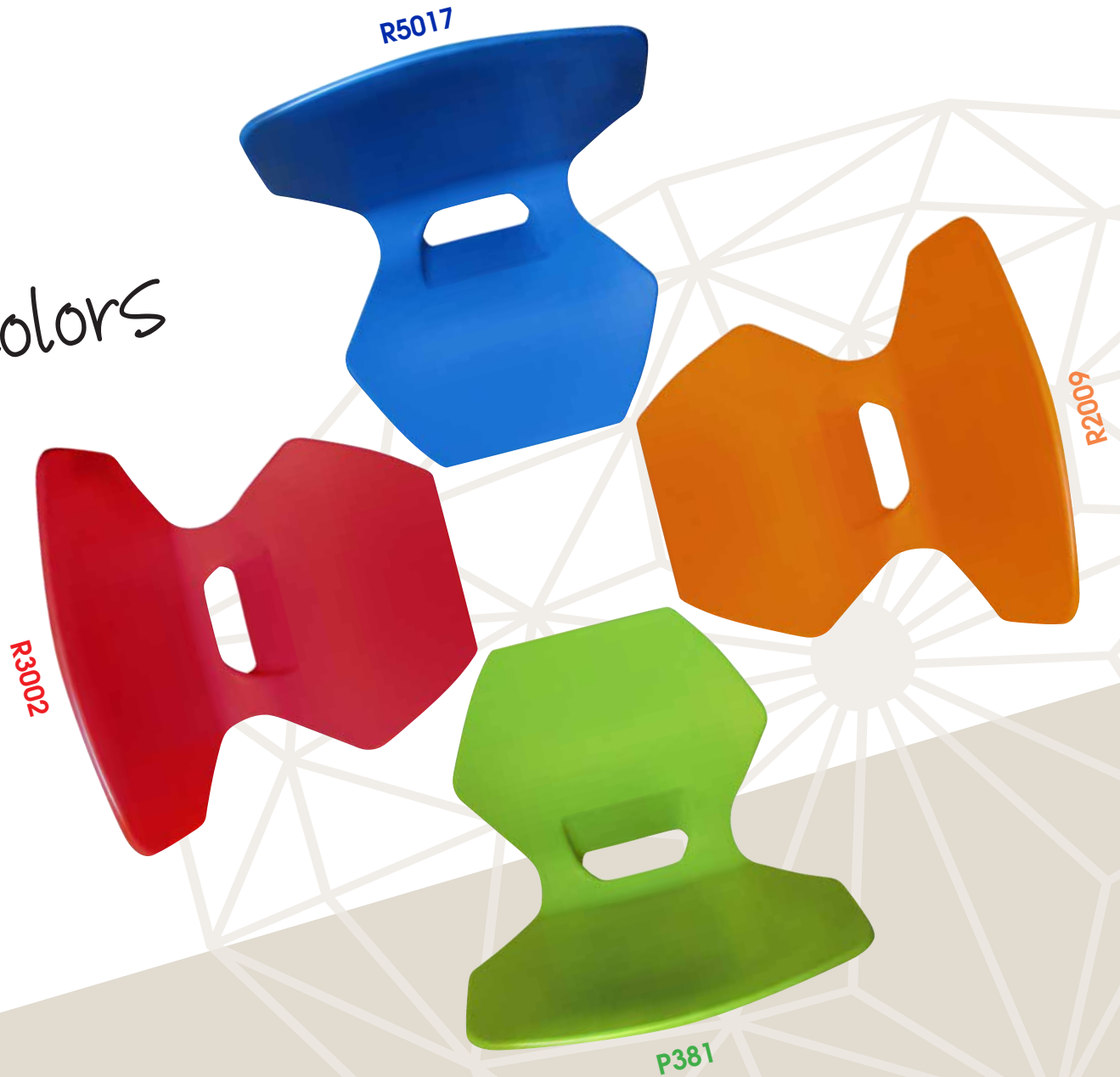
Glides matching
the shell colors

plastica
seconda vita
MIX ECO





Standard colors



Shell available in 4 lively and trendy colors.



DIAMOND STACKABLE



Stackable up to 6 seats

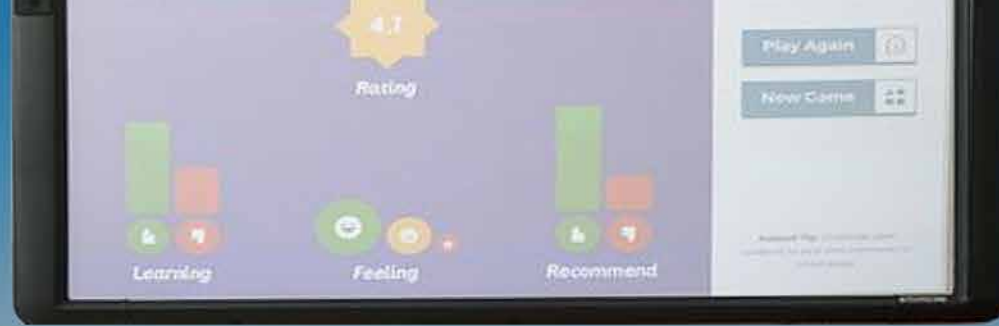




Design product family



Storage drawer
Diamond







Storage drawer

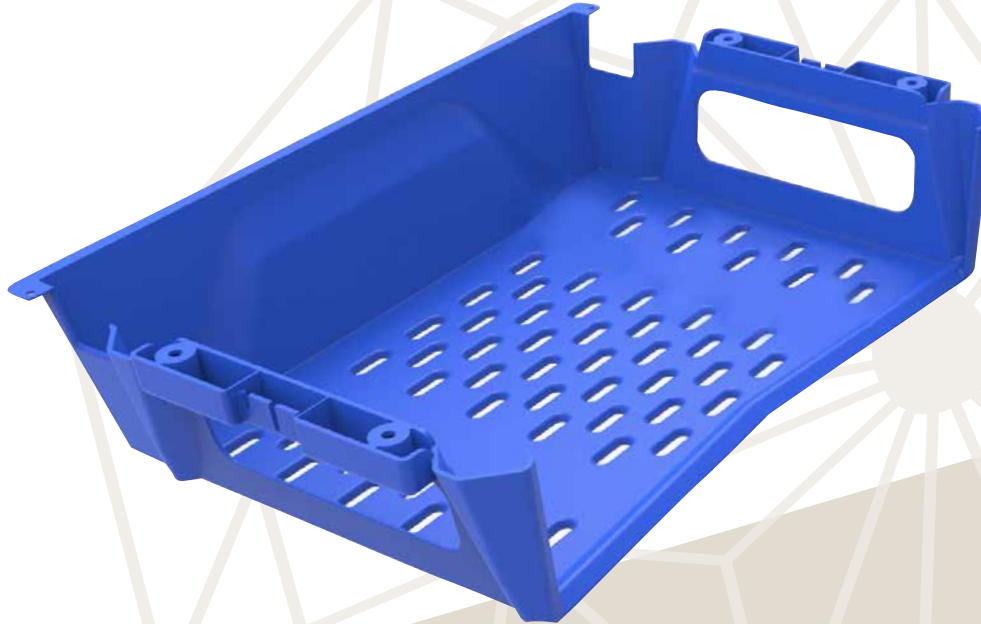
Diamond

Colored polypropylene storage drawer, modern and essential design.

Recyclable

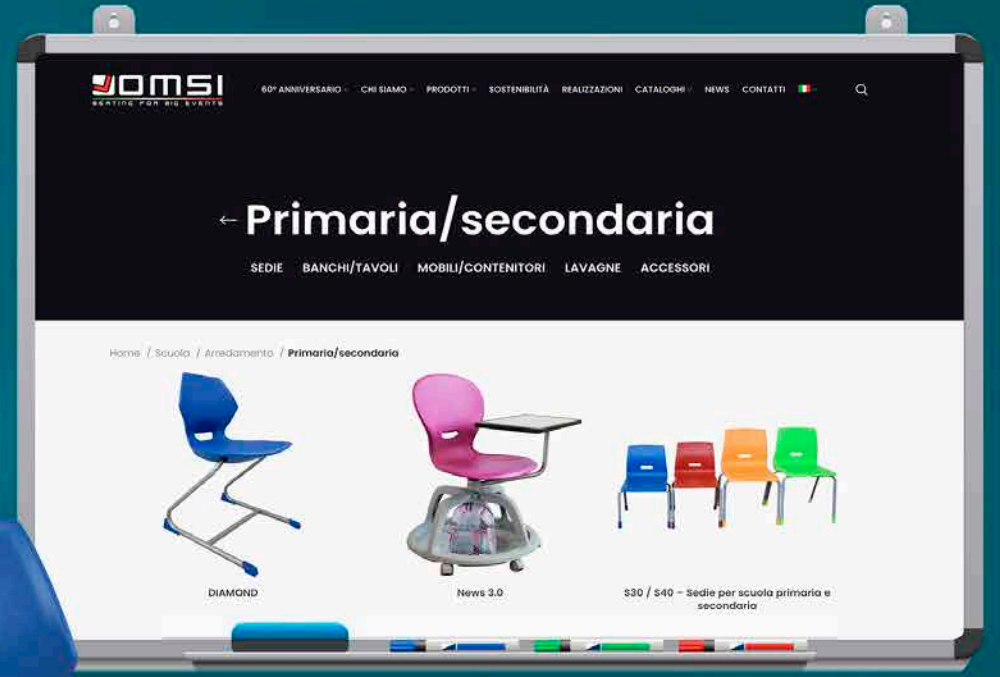
Fire retardant on request

Dimensions: cm 53x37x12 h



Standard colours:









Clothes-hook
Diamond



CLOTHES HOOK

Clothes-hook Diamond

Modern and compact design for the new wall coat hanger, in high-resistance polypropylene, specially designed to integrate perfectly into all types of furnishings. Rounded corners and edges, available in a wide range of colours. Meets minimum environmental criteria (CAM)

DIMENSIONS: height 115 mm;
width 125 mm; depth 50 mm



Cod. AT0092

Standard colours:



plastica
seconda vita
MIX ECO



CAM ARREDI





Via Parini, 3 - 40069 Zola Predosa (BO) Italy
Tel. +39 051 6164311 - Fax +39 051 6164317
info@omsi.it - www.omsi.it

EXCELLENCE MADE IN ITALY