

**JOMSI**  
SEATING FOR BIG EVENTS



*Botticelli*  
design and comfort





*Botticelli*  
design and comfort

# VVIP AREA



*Botticelli*  
design and comfort

# VVIP AREA



*Botticelli*  
design and comfort

# CONFERENCE ROOM



*Botticelli*  
design and comfort

# PLAYERS BENCHES



*Botticelli*  
design and comfort

# TECHNICAL DESCRIPTION

*Botticelli*

Botticelli is the Italian design sport seat characterized by enveloping ergonomics; ideal to be used in the most prestigious areas of a sports facility or for players/referee benches, hospitality boxes, hospitality lounges, stages, dressing and conference rooms.

The Botticelli chair enables a correct posture and ensures a comfortable sitting position even after many hours, thanks to solid seat and back padding which provides lumbar and cervical support.

The solid metal structure is covered with high-density polyurethane foam, the backrest and fixed seat are in washable eco leather, the headrest is integrated, the sides are fully upholstered and the stitching is highly resistant; It provides several clearly visible spaces for placing logos or writings and allows a wide choice of color combinations.

It gives particular importance to the environment's care, being recyclable and thanks to the use of recycled materials, it complies with FIFA 2030 / UEFA CAF provisions, with the European regulations UNI EN 13200 1-4 and it is tested according to the European standard UNI EN 12727

**Dimensions:** min. centre-to-centre distance 600 mm, depth 620 mm, seat height from 440 to 450 mm, width 600 mm, total height 980 mm.

## **Installation possibilities:**

- ON SINGLE PEDESTAL OR BEAM WITH VERTICAL POLYAMIDE FOOT

the supporting structure is fixed to a polyamide plate which is hooked onto the metal beam

- ON FIXED OR MOUVABLE METAL BENCH

- ON 5-STAR FIXED OR SWIVEL BASE WITH GAS LIFT

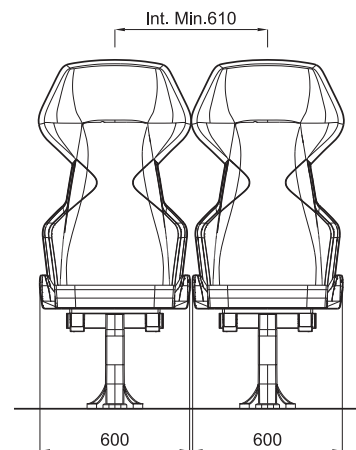
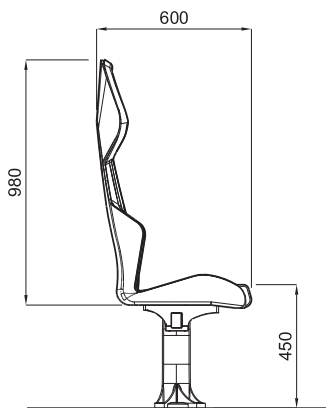
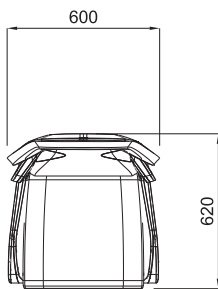
ideal for conference rooms.

## **MAIN FEATURES**

- Lumbar and cervical support
- Ergonomic lateral support
- Aerodynamic design
- Integrated headrest
- Finishing: waterproof eco leather
- Customizable colors
- Embroidered club or sponsor logos (up to 13 positions)
- Possibility of armrests with or without cup holder on request

# Botticelli

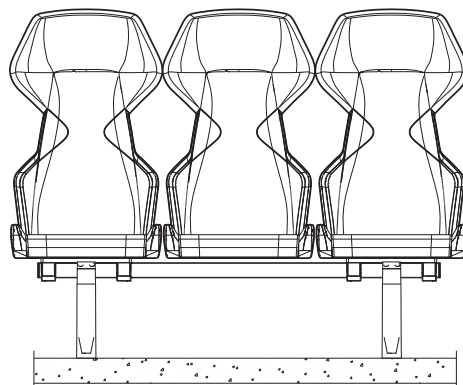
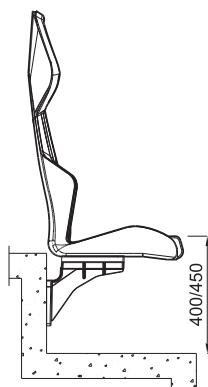
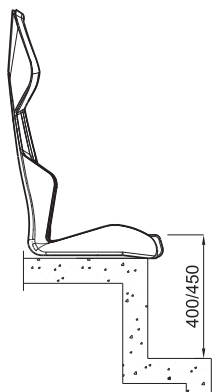
design and comfort



DIRETTAMENTE A GRADONE  
DIRECTLY ON STEP

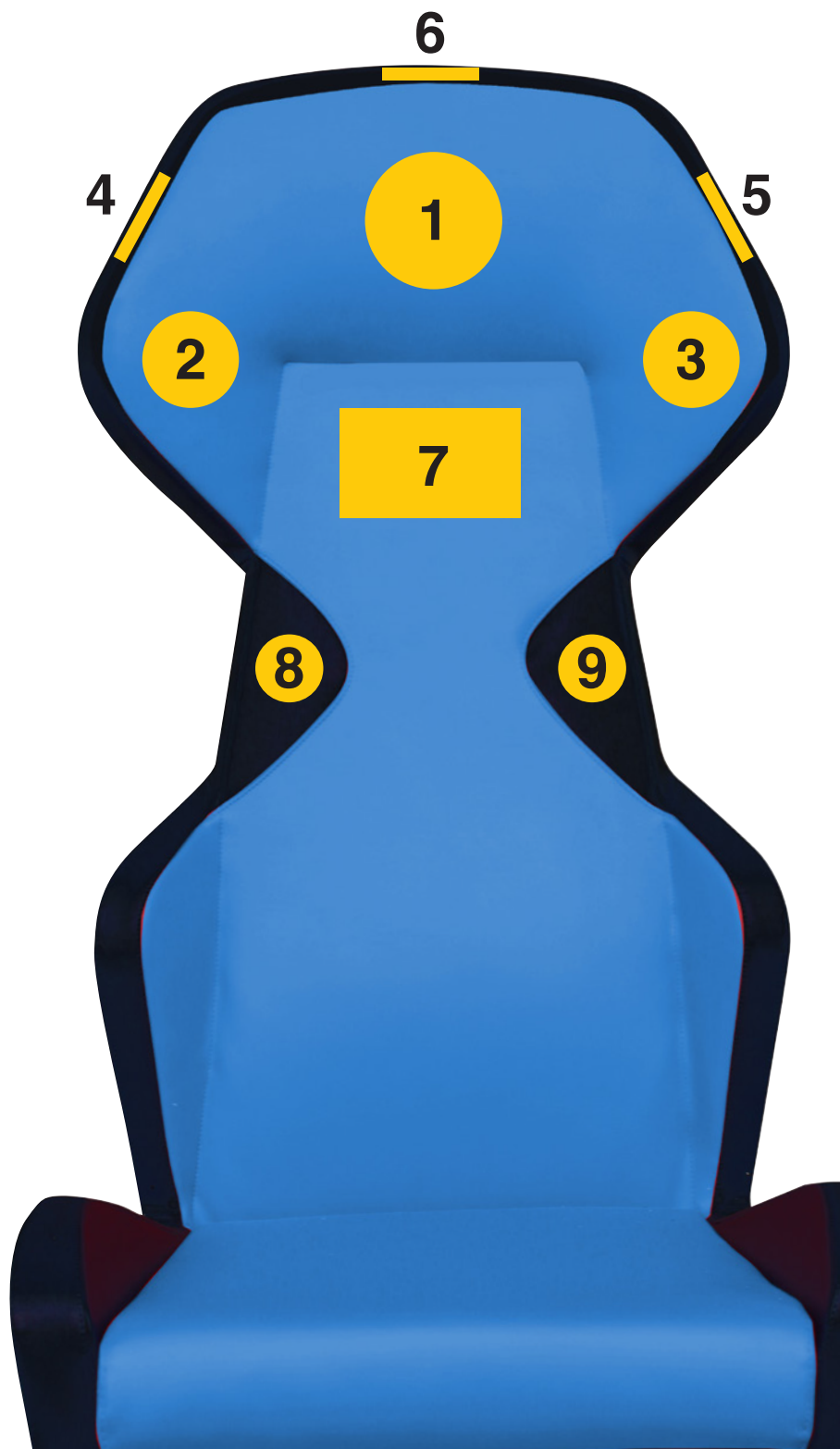
FRONTE GRADONE  
RISER MOUNTING

SU PANCA METALLICA  
ON METAL BENCH





UP TO 13 POSITIONS IN WHICH TO APPLY LOGOS OR EMBROIDERED WRITINGS OF VARIOUS SIZES



*Botticelli*  
design and comfort



The Botticelli seat is highly customizable, the covering can be made in fabric, leather or eco-leather, in a wide range of colors and combinations.

*Botticelli*

# Botticelli

design and comfort



**Botticelli** on single polyamide foot  
for mobile player's / referee's benches



**Botticelli** mouvable metal bench



**Botticelli** on fixed metal bench

**Botticelli**  
on a single  
polyamide foot  
for dressing  
rooms



**OPTIONAL**





Via Parini, 3 - 40069 Zola Predosa (BO) Italy  
Tel. +39 051 6164311 (2 linee r.a.) - Fax +39 051 6164317  
info@omsi.it - soft@omsi.it - www.omsi.it