



TECHNICAL SHEET

MP2024



POLYAMIDE JOINT



MP2024

MP2024

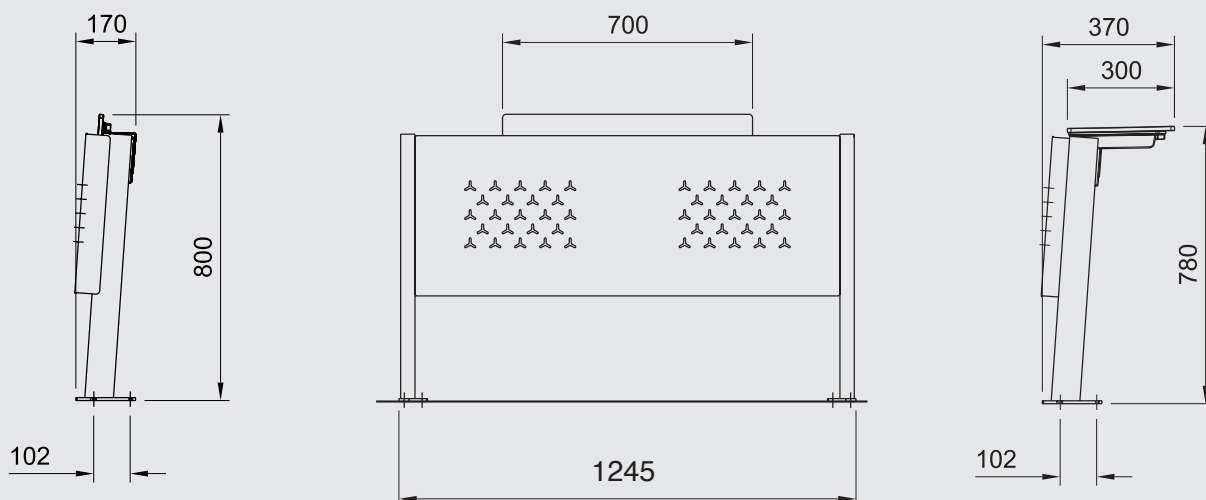
SINGLE PRESS STATION



**AS PER THE LATEST FIFA REGULATIONS,
REVISED VERSION OF SINGLE PRESS TABLE MP2024
FOR DISABLED PEOPLE.**

TOP WIDTH 700 MM, ENTRANCE 900 MM

OVERALL DIMENSIONS: Depth with folded top 170 mm; depth with open top 370 mm; width 1 seater station 1245 mm.



TECHNICAL DESCRIPTION

MP2024

2-3 seater press station with folding (or fixed) top, dimensionally complying with FIFA/UEFA recommendations. Clean and elegant design, extremely reduced dimensions. The peculiarity of this product is the innovative folding joint of the worktop, completely realized in polyamide, to withstand all atmospheric agents and particularly suitable for areas with high humidity and salt concentration.

The joint is equipped with a rubber braking device to slow down the folding mechanism of the top.

OVERALL DIMENSIONS:

Depth with folded top 170 mm; depth with open top 370 mm; width 2 seater station 1280 mm; width 3 seater station 1880 mm; center-to-center distance 600 mm.

MATERIAL:

Metallic structure with cathaphoresis finishing and epoxy powder coating grey RAL9006; HPL top.

FIXING:

4 fixing points directly onto concrete step.

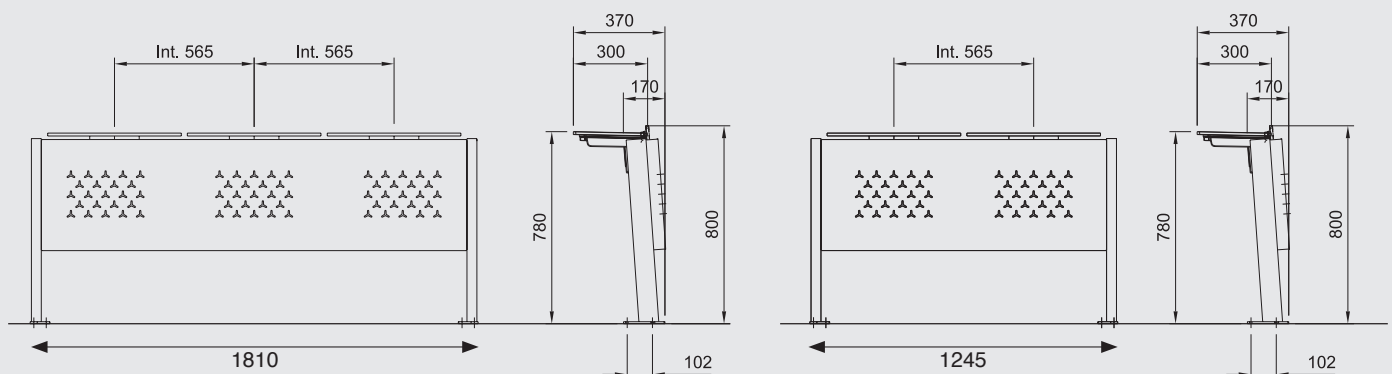
AS PER THE LATEST FIFA REGULATIONS, REVISED VERSION OF SINGLE PRESS TABLE MP2024 FOR DISABLED PEOPLE. TOP WIDTH 700 MM, ENTRANCE 900 MM

OVERALL DIMENSIONS:

Depth with folded top 170 mm; depth with open top 370 mm; width 1 seater station 1280 mm.

TEST REPORTS:

1. Non domestic tables: safety requirements
EN 15372:2023, clause 5.1 - 5.2 and 5.3
2. Non domestic tables: information for use EN 15372:2023, clause 6
3. Horizontal static load test EN 1730:2012, clause 6.2
4. Vertical static load test EN 1730:2012, clause 6.3
5. Horizontal fatigue test EN 1730:2012, clause 6.4.2
6. Vertical fatigue test EN 1730:2012, clause 6.5
7. Vertical impact test EN 1730:2012, clause 6.6





"AL-SHABAB CLUB" STADIUM - RIYAD, SAUDI ARABIA



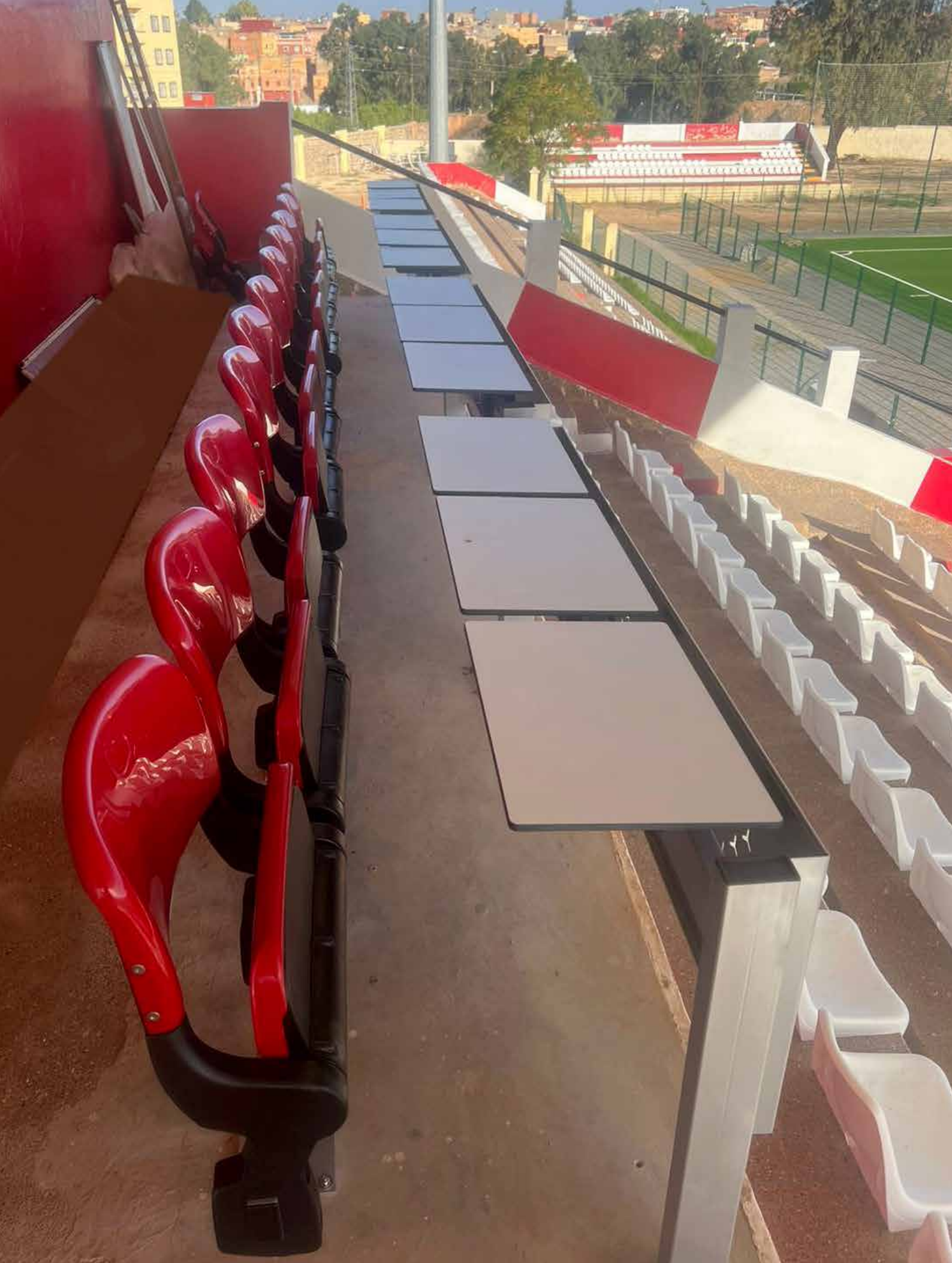
"GUIDO TEGHIL" STADIUM - LIGNANO SABBIADORO - PORDENONE, ITALY



"ZINI" STADIUM - CREMONA, ITALY



"PENZO" STADIUM, VENEZIA, ITALY



STADE MUNICIPAL "KASBA TADLA" KASBA-TADLA, MOROCCO



omsSI

SEATING FOR BIG EVENTS

Via Parini, 3 - 40069 Zola Predosa (BO) Italy

Tel. +39 051 6164311 - info@omsi.it

www.omsi.it